

■ PD23B Series

Features 特点

- The optimal design realizes high quality sound and low distortion.
高音质、低失真最佳设计
- Small compact, and DIP type.
小体积，直插类型
- Low radiation noise by magnetically shielded construction
闭合磁路封装，低辐射
- High current, Low resistance.
大电流，低电阻
- Operating temperature : -40°C~+125°C.
工作温度：-40°C~+125°C



Applications 应用

- Suitable as choke for digital amp. Car audio, LCD and PDP TV, 5.1ch Home theater, etc.
适用于数字功放扼流。如汽车音响，LCD 电视和 PDP 电视，5.1 声道家庭影院等

Electrical characteristics 电气特性

| Part number 料号 | Inductance 电感量 $\mu\text{H} \pm 10\%$ | DCR 直流电阻 $\text{m}\Omega$ | | SRF 自谐频率 MHz | | Isat 饱和电流 A typical | | | Irms 温升电流 A typical | |
|-------------------|---|------------------------------|------|--------------------|----------|---------------------------|----------|-----------|---------------------------|--|
| | | typ | max. | typical | 10% drop | 20% drop | 30% drop | 20°C rise | 40°C rise | |
| PD23B-103KL | 10 | 6.7 | 8.3 | 10.8 | 37.4 | 39.5 | 40.2 | 7.5 | 9.1 | |
| PD23B-123KL | 12 | 6.7 | 8.3 | 10.5 | 32 | 34 | 34.6 | 7.5 | 9.1 | |
| PD23B-153KL | 15 | 7.3 | 9.1 | 10.3 | 28.5 | 30.2 | 31.2 | 8.0 | 8.7 | |
| PD23B-183KL | 18 | 6.7 | 8.3 | 9 | 21 | 23.8 | 26 | 7.5 | 9.1 | |
| PD23B-223KL | 22 | 7.3 | 9.1 | 8 | 19 | 22 | 23.1 | 8.0 | 8.7 | |

Remark

- ① Inductance is measured with a LCR meter Agilent 4284A or equivalent.
Test frequency at 100kHz
- ② DC resistance is measured with Keithley 580 Milliohm Meter, or equivalent.
Reference ambient temperature 25°C
- ③ DC current at 25°C that causes the specified Inductance drop from its value without current.
- ④ Current that causes the specified temperature rise from 25°C ambient. This information is for reference only and does not represent absolute maximum ratings.
- ⑤ Electrical specifications at 25°C

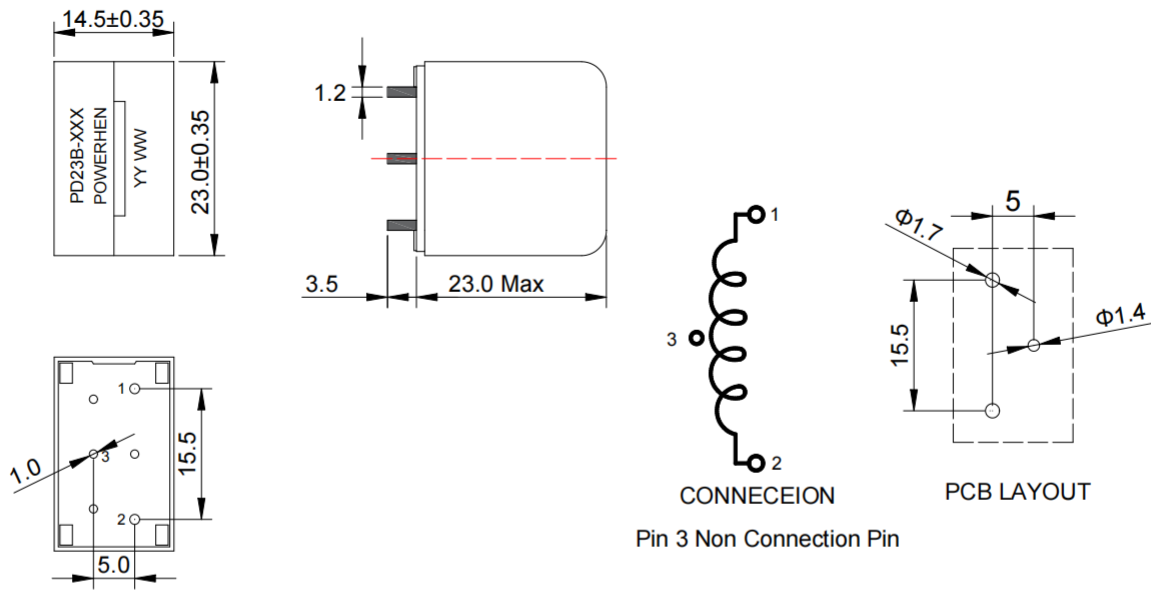
备注

- ① 电感量测试采用 Agilent 4284A 数字电桥或同等仪器；
测试频率 100kHz
- ② 直流电阻测试采用 Keithley 580 毫欧表或同等仪器；
环境温度 25°C
- ③ 直流电流在 25°C，加载导致指定电感从没有电流的值下降。
- ④ 导致指定温度从 25°C 环境温度上升的电流。此信息仅供参考，不代表绝对最大额定值。
- ⑤ 25°C 时的电气规格

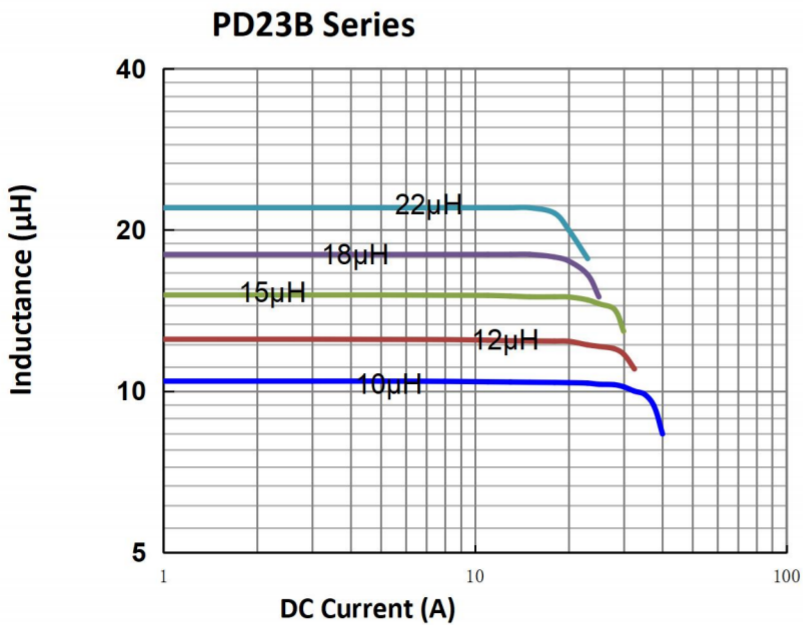
Dimensions 结构尺寸

ShenZhen Powerhen Electronic Co.,Ltd

Addr: Floor 3, Building 2, Shenliang Automotive Electronic Industrial Park, Guanlan Town, Shenzhen
Tel: 0755-23570708 E-Mail: sales@powerhen.com

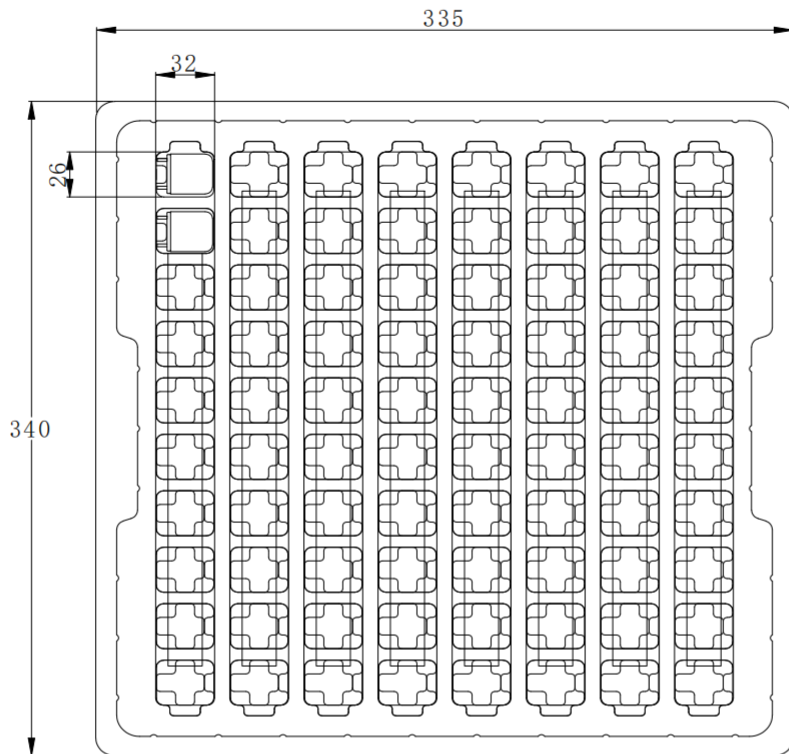


Electrical Characteristic Curve 电气性能曲线



■Packaging Specification - tray: [mm]

包装规格 - 托盘包装: [mm]



Weight 重量: 28.3~29.15g/PCS

Packaging 包装数量: 80 PCS/盘